



Umwelt-Geräte-Technik GmbH

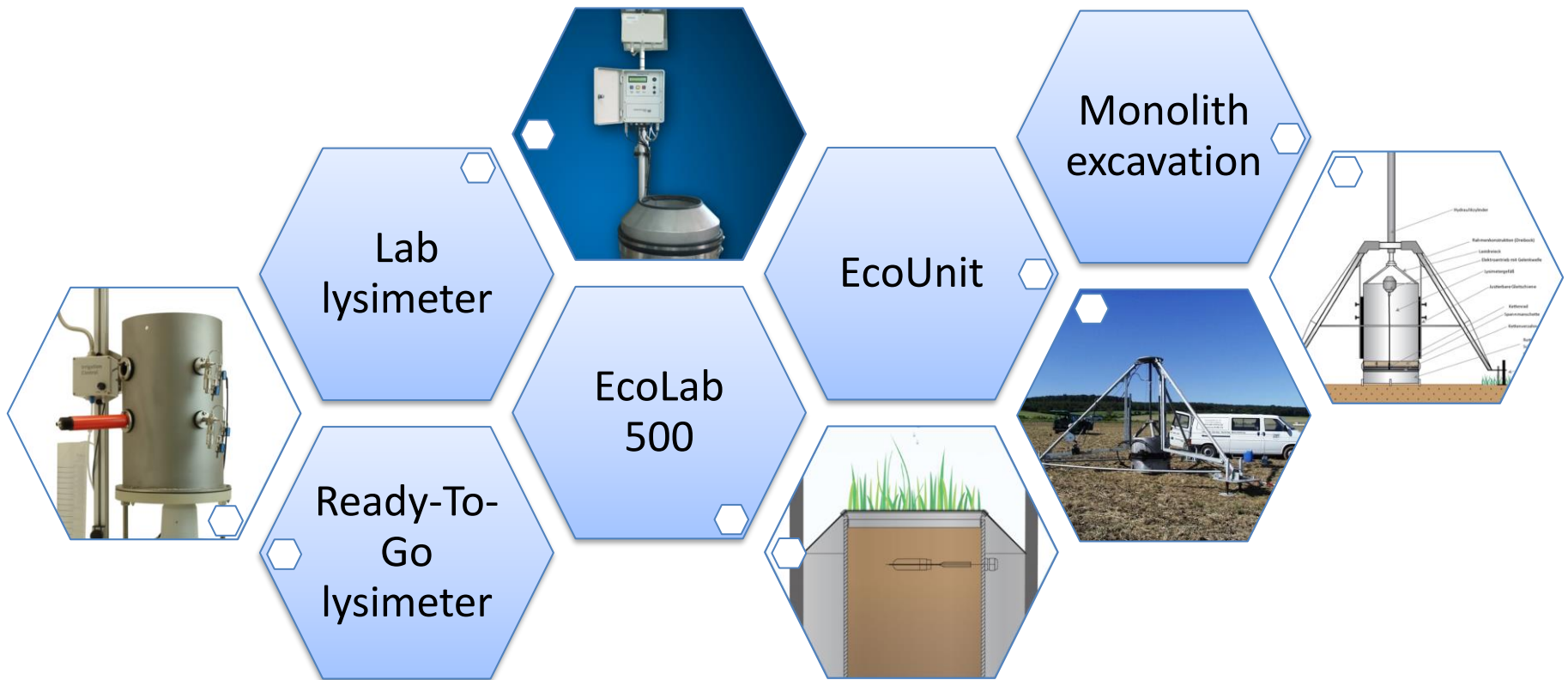
Willkommen bei der Umwelt-Geräte-Technik GmbH

*„more
than standard“*

UGT LYSIMETER

„more
than standard“

UGT UMWELT
GERÄTE
TECHNIK
The Solutionists



„more
than standard“



Laboratory Lysimeter

„more
than standard“



Ready-To-Go Lysimeter

LYSIMETER – Ready-To-Go Lysimeter

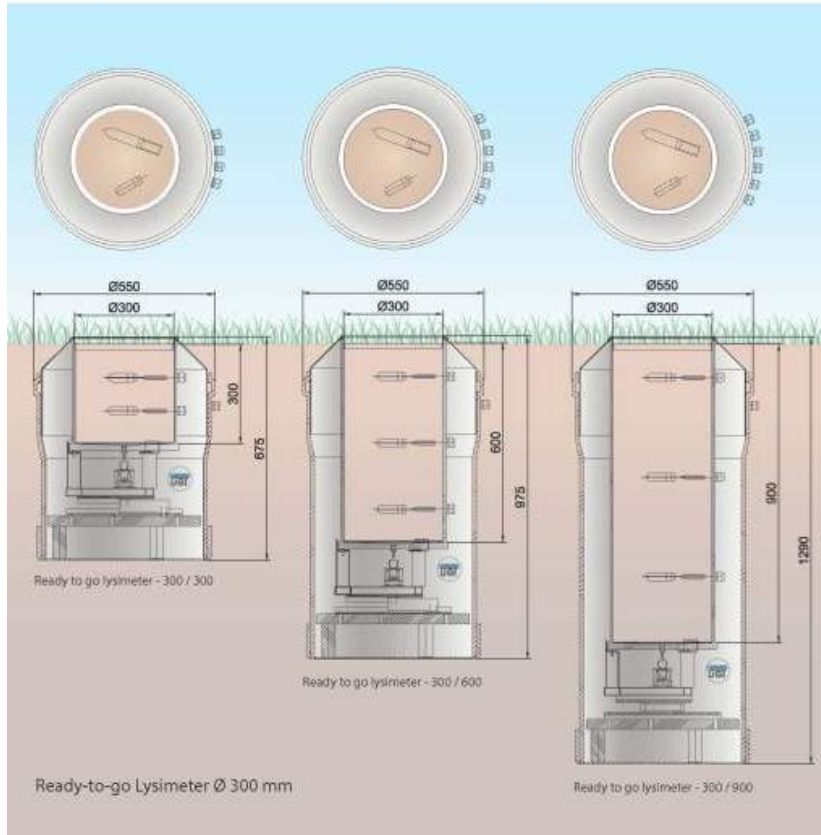
„more
than standard“

UGT UMWELT
GERÄTE
TECHNIK
The Solutionists



LYSIMETER – Ready-To-Go Lysimeter - Types

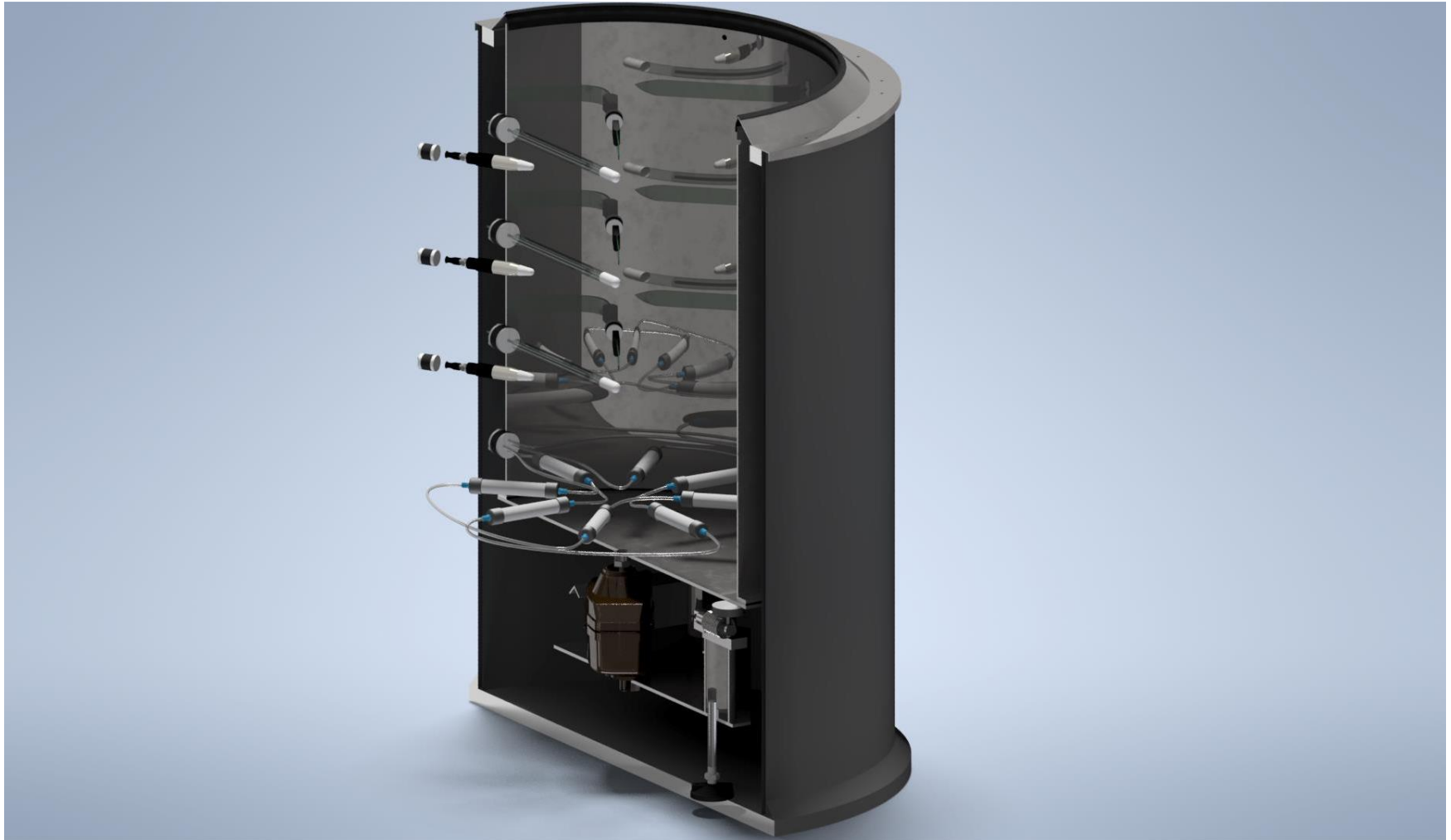
*„more
than standard“*



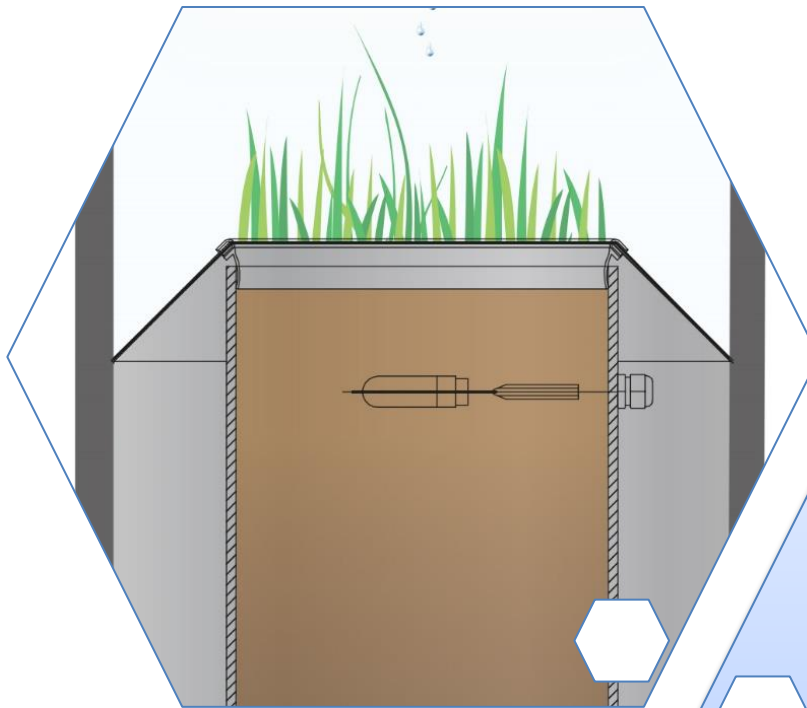
LYSIMETER – Ready-To-Go Lysimeter

„more
than standard“

UGT UMWELT
GERÄTE
TECHNIK
The Solutionists



„more
than standard“



UGT EcoLab

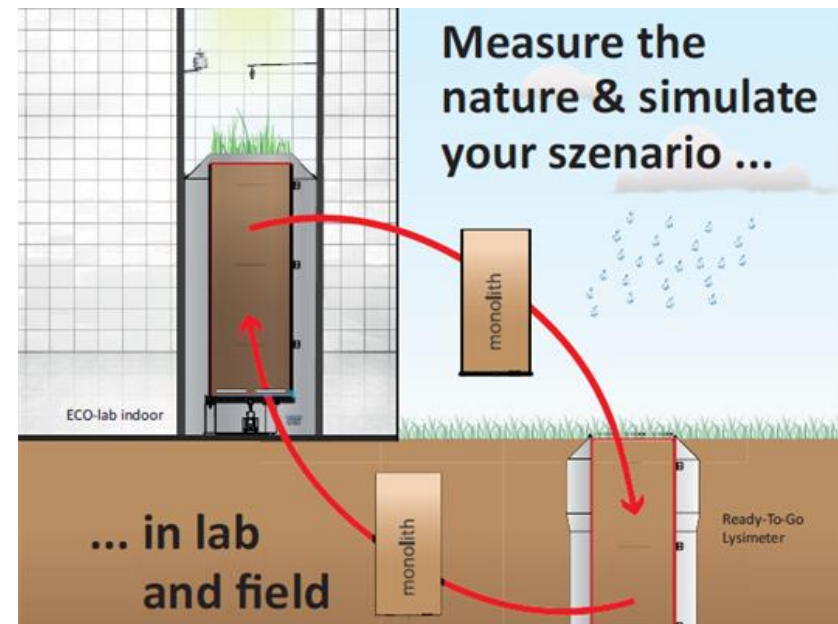
EcoLab 500 a highly innovative UGT product

“An Ecotron is a set of replicated experimental units

where ecosystems are confined in enclosures

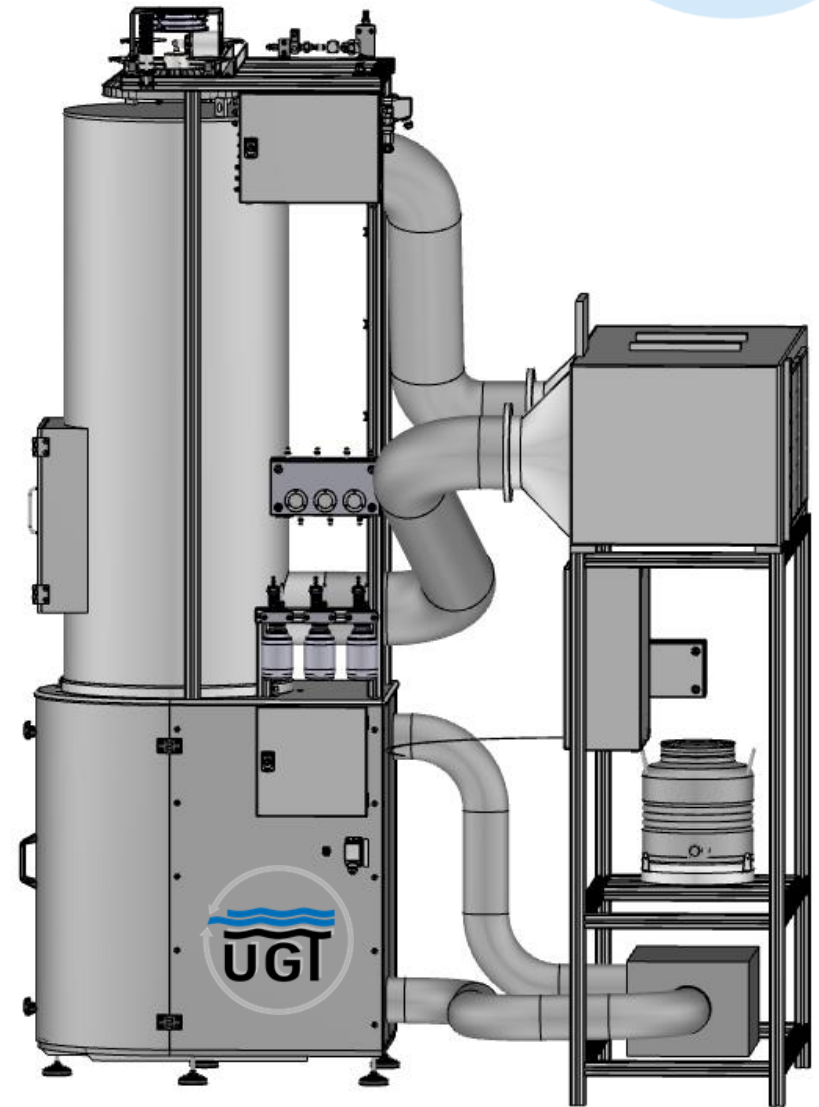
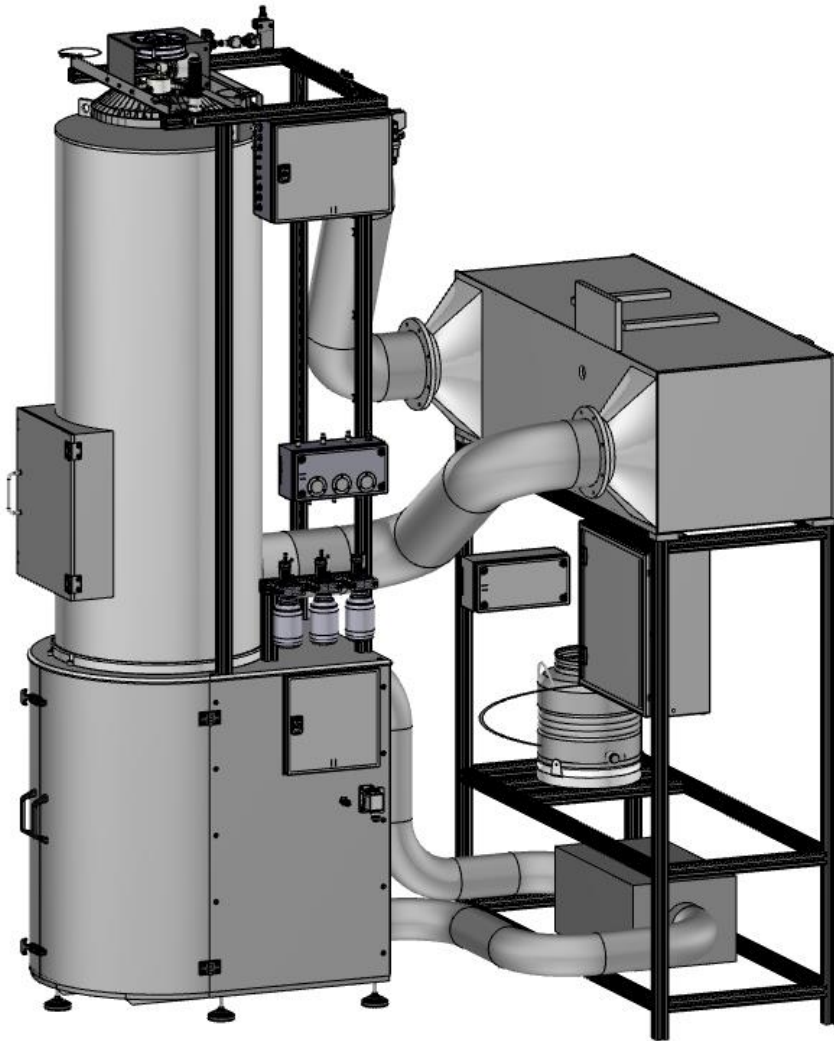
*allowing simultaneously the control of
environmental conditions*

*and the on-line measurement of
ecosystem processes.”*

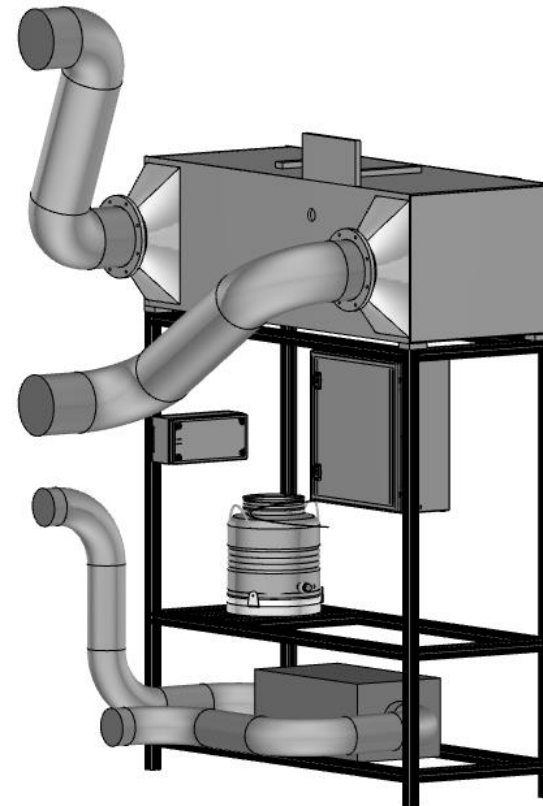
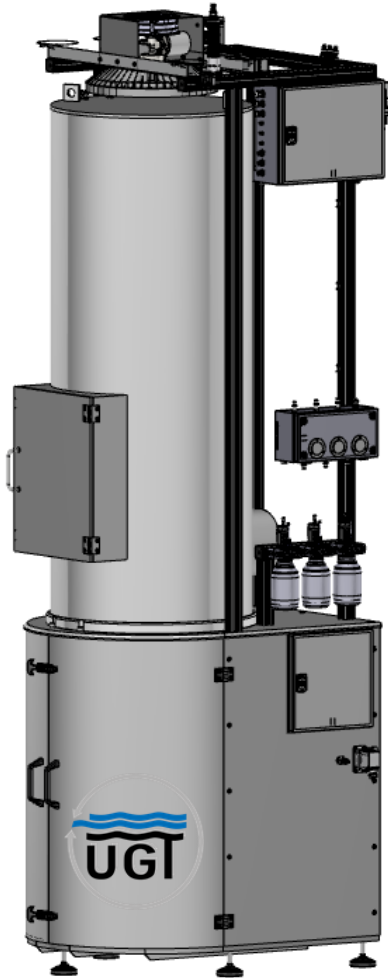


„more
than standard“

UGT UMWELT
GERÄTE
TECHNIK
The Solutionists



„more
than standard“



CONTROL OF AIR TEMPERATURE AND AIR HUMIDITY

„more
than standard“

UGT UMWELT
GERÄTE
TECHNIK
The Solutionists

- in the range of 15 ... 30°C
(note: cooling only, heating module on request)
- 45% ... 99%
(note: drying only, humidification module on request)
- Air-water heat exchanger
(approx. 4.5 kW max. cooling load)
- max. condensation 0.57 Kg/h
- air heater ca. 5 kW (for dehumidification)
- fan for air circulation (ca. 900 m³/h)

CONTROL OF SOIL TEMPERATURE

*„more
than standard“*

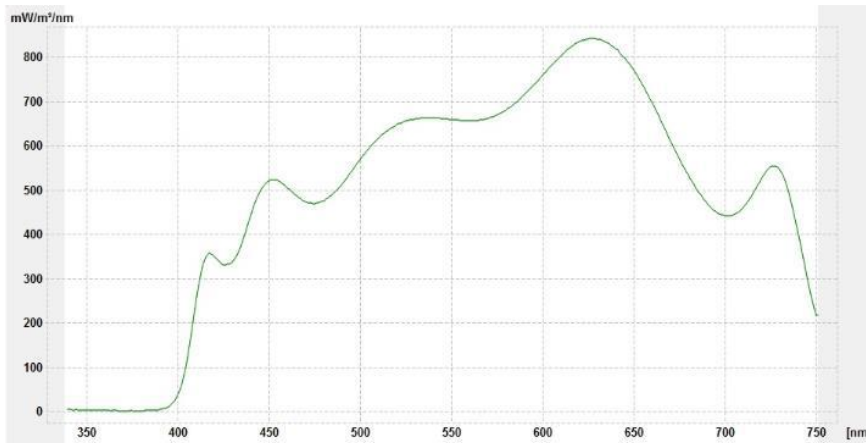
UGT UMWELT
GERÄTE
TECHNIK
The Solutionists

- Powerful high-performance cooler with approx. 1 kW cooling capacity
- 2 separate cooling circuits

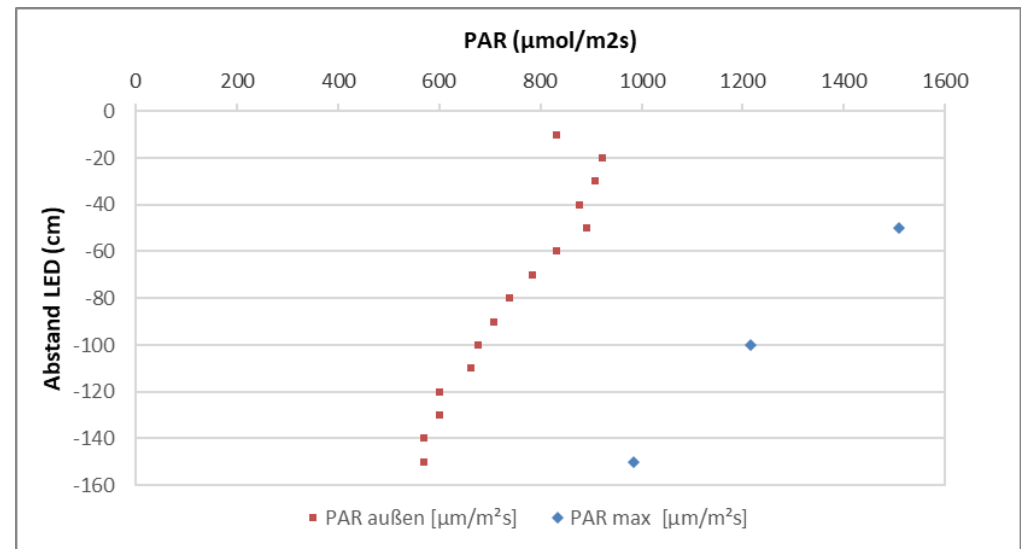
The cooler is delivered pre-assembled and ready for use at the factory.
The cooler is prepared for connection of the refrigeration units for lysimeter cooling.

Designed for cold water supply: +2 °C supply, +4 °C return at a volume flow of 2.14 m³/h.

„more than standard“



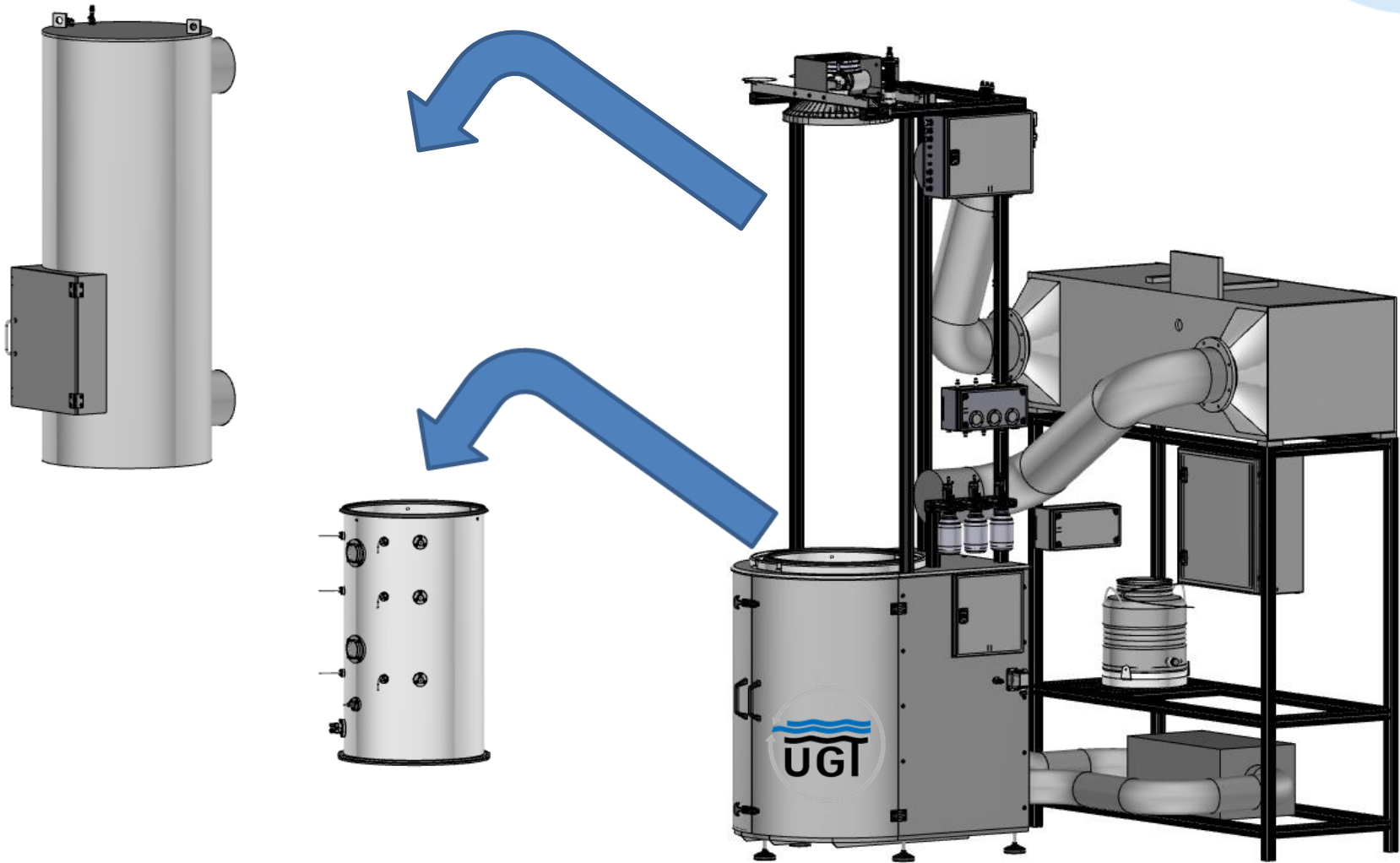
spectral response



THE UGT ECOLAB

*„more
than standard“*

UGT UMWELT
GERÄTE
TECHNIK
The Solutionists



WORKSHOP CRANE FOR LYSIMETER VESSEL CHANGE

„more
than standard“

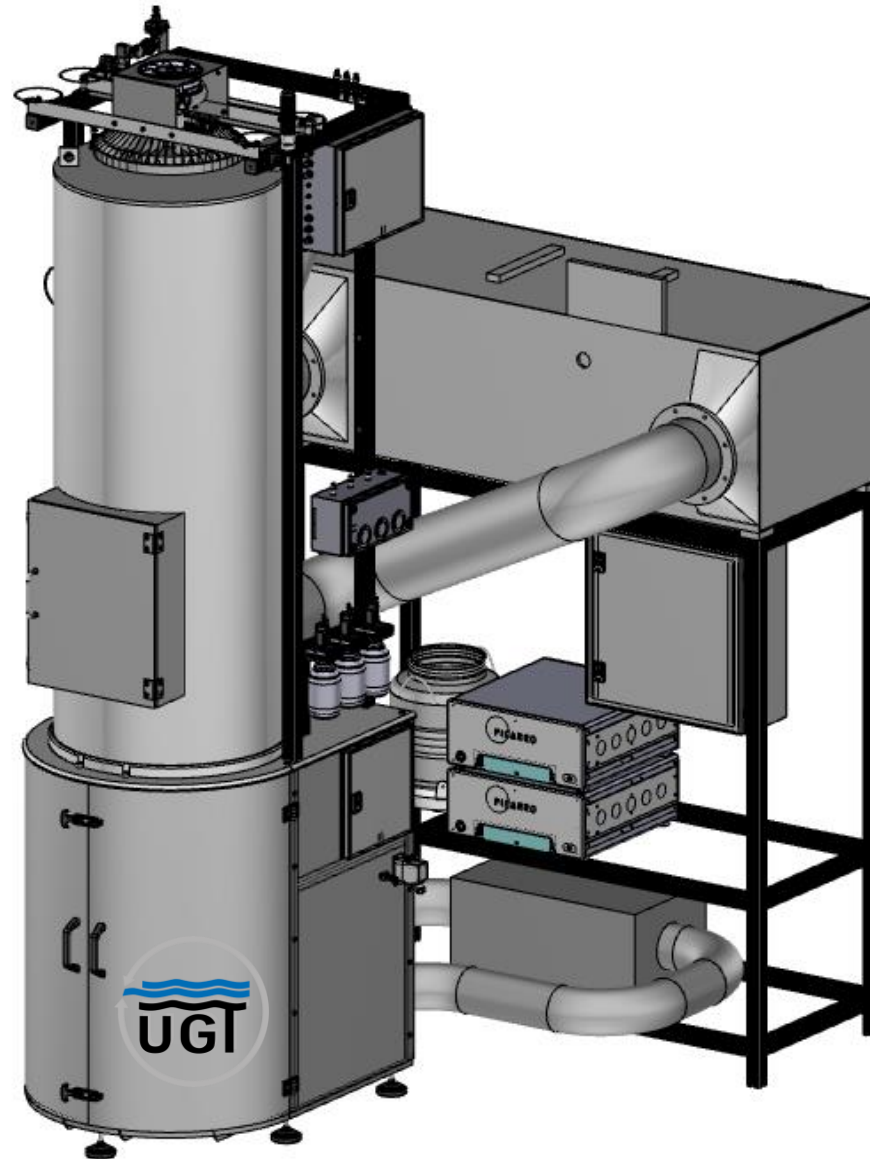


storable

foldable



ECOLAB 500 WITH PICARRO ISOTPE LIQUID- AND GAS ANALYZER



ECOTRON/ECOUNIT

„more
than standard“

UGT UMWELT
GERÄTE
TECHNIK
The Solutionists



iDiv-Ecotron with 24 EcoUnits at the UFZ research station Bad Lauchstädt



THE UGT ECOLAB Utrecht University

„more
than standard“

UGT UMWELT
GERÄTE
TECHNIK
The Solutionists



A lighthouse project has started 2020 with 36 highly instrumented EcoLabs for ecological observations of the whole environment.

Head Office

Umwelt-Geräte-Technik GmbH
Eberswalder Str. 58
D-15374 Müncheberg
Germany

T +49 (0) 33432 7559-0
info@ugt-online.de
www.ugt-online.de

Branch South

Umwelt-Geräte-Technik GmbH
Lindberghstr. 7a
Munich Airport Business Park
D-85399 Hallbergmoos
Germany

T +49 (0) 811 124478-0
info-sued@ugt-online.de
www.ugt-online.de

Umwelt-Geräte-Technik GmbH



*„more
than standard“*